

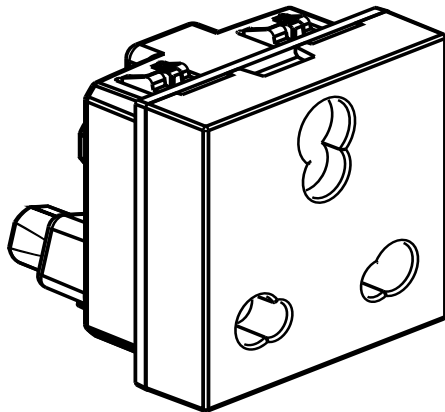
Myrius™

Ref . No. : 679230

6/16A Socket 2M White

Date : 20/05/2020

Rev.1

**1. USE**

Socket outlet.

2. TYPE

6/16A Socket 2M White

No. of modules : 2

Colour : White

Mounting : Flush and Surface -mounted

3. OVERALL DIMENSIONS

Width : 45 mm

Height : 45 mm

Depth : 43 mm

Weight (g) : 45

4. CONNECTION

Terminal : with screws

Capacity : 0.75mm² to 2.5mm²

Stripping : 10 mm

Screwdriver : 4mm flat-blade up to 5 mm

5. OPERATION

Socket with shutter

6. TECHNICAL CHARACTERISTICS**6.1 Material Characteristics**

Top plate : Polycarbonate

Shutter : PA+PTFE

Cover : Polycarbonate

Shutter Spring : Stainless Steel

Contact Spring : Stainless Steel

E Contact : Brass

P-N contact : Brass

Socket Terminal : Brass

Screws : Steel with Zinc plating

Base : Polycarbonate

6.2 Electricals Characteristics

Voltage : 240V AC

Current : 6/16A (Tested up to 25A)

Self - extinguishing : 850° C / 30 s.

7. CONFORMITY - APPROVALS

As per IS : 1293-2019